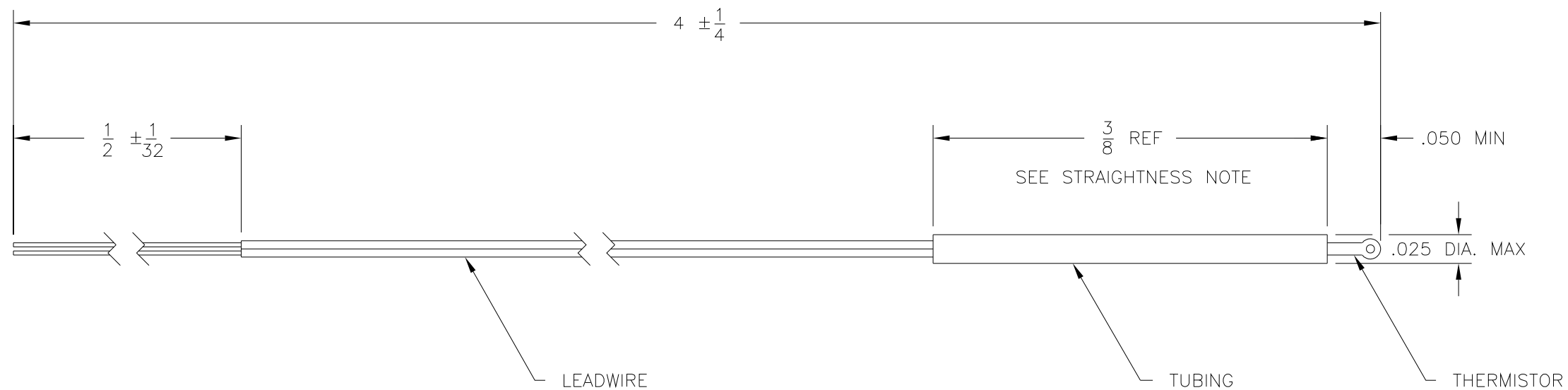



KEY PRODUCT CHARACTERISTICS		
SYMBOL	DEFINITION	QTY.
▽	CRITICAL DIM.	0
⬡	MAJOR DIM.	0



LEADWIRE	38 AWG, BIFILAR NICKEL CONDUCTORS, HEAVY ISOMID INSULATION
TUBING	ML – POLYIMIDE COLOR: AMBER
R ₀ RATIO 0°C / 50°C	5.5 ±10%
RESISTANCE	R ₀ AT 77°F = 2000 OHMS NOMINAL R ₀ AT 32°F = 5338 OHMS ±5%
STRAIGHTNESS	MUST BE STRAIGHT IN THIS AREA. MUST PASS FREELY THROUGH A .026 DIA. x 3/8 LONG BORE

UNLESS OTHERWISE SPECIFIED, ALL DIMENSIONS ARE IN INCHES. DIMENSIONS IN [] ARE IN MM.							<small>THIS DOCUMENT IS THE PROPERTY OF FENWAL ELECTRONICS AND IS SUBMITTED IN CONFIDENCE. NEITHER THIS DOCUMENT, NOR THE INFORMATION CONTAINED HEREIN, IS TO BE USED DIRECTLY OR INDIRECTLY, IN ANY WAY DETRIMENTAL TO THE INTEREST OF FENWAL ELECTRONICS AND IS NOT TO BE DISCLOSED OR UTILIZED WITHOUT WRITTEN PERMISSION.</small>	
GENERAL TOLERANCES FRACTIONS: ±1/64 ANGLES: ±.5° DECIMALS: .XX ± .01 .XXX ± .005								
TITLE: PROBE ASSEMBLY OUTLINE								
MATERIAL:	G	16313	EPOXY OP 100 WAS 908-5EPMIX-A51	JHF	03/27/02	BY: LASTRA 03/27/2002 DATE:	DWG. NO:	
FINISH:	F	10503	OP 140 WAS INDIVIDUALLY PACKAGE	DL	10/21/96	CH: PF 10/28/02	517-59CL01-202	
USED ON:	LTR.	ECN	DESCRIPTION	APP.	DATE	APP: DPR 04/08/02		
SCALE: 1"=1"0"	REVISIONS					APP:	SHEET 1 OF 1	